

# INDUSTRIAL - ENVIRONMENTALLY SEALED SWITCHES

Series - 8520-8522, 8526-8528

Environmentally Sealed Toggle Switches  
UL Recognized and CSA Certified

FEATURES	SPECIFICATIONS	CURRENT RATINGS						
		No. of Poles	Catalog Number	Amperes		Maximum Horsepower		
				125V	250V	1 Phase	3 Phase	
<ul style="list-style-type: none"> <li>Completely sealed against dust, moisture, and other contaminants</li> <li>UL and CSA approved</li> <li>One hole mounted bushing for easy installation</li> <li>Multi-circuits offered</li> <li>2 &amp; 3 position with maintained and momentary action</li> <li>Molded-in terminal inserts and terminal numbers</li> <li>1, 2 and 4 pole circuitry</li> </ul>	<ul style="list-style-type: none"> <li>Watertight seal per MIL-STD-108E and designed to meet IP68</li> <li>Thermoset molding materials meet flame retardant requirements</li> <li>UL recognized and CSA certified per specifications listed below</li> <li>Temperature Range: -50°F to +150°F (-46°C to +66°C)</li> <li>Life: 20,000 operations at rated load 40,000 operations mechanical life 6,000 operations at HP ratings per UL and CSA requirements</li> <li>Bushing: 15/32" - 32 thread</li> </ul>							
		1	8520	18	9	1/4	1/2	—
		2	8521	18	9	1/2	1	—
		4	8522	18	9	1/2	1	1
		1, 2, 4	8526 thru 8528	18	9	—	—	—

## SELECTION TABLE



8520/8526



8521/8527



8522/8528

CIRCUIT WITH LEVER IN . . .			ONE POLE	TWO POLE	FOUR POLE
Up Position	Center Position	Down Position (Keyway)	Catalog Number	Catalog Number	Catalog Number
			8520K1	8521K1	8522K1
ON	OFF	ON	K9	K9	K9
ON	NONE	OFF	K4	K4	K4
ON	NONE	ON*	8526K5	8527K5	8528K5
*ON	OFF	ON*	K2	K2	K2
ON	OFF	ON*	8526K3	8527K3	8528K3

\* Momentary contact.

UL & CSA Approval Numbers

UL - Where devices are UL recognized, recognition is listed under file number E15346; Guide card number is WOYR2.

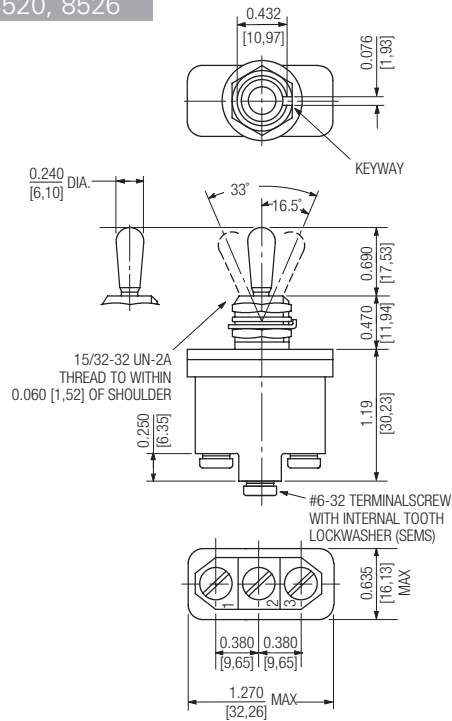
CSA = Where devices are CSA certified, certification number is LR40068, class number 6241.

# INDUSTRIAL - ENVIRONMENTALLY SEALED SWITCHES

Series - 8520-8522, 8526-8528

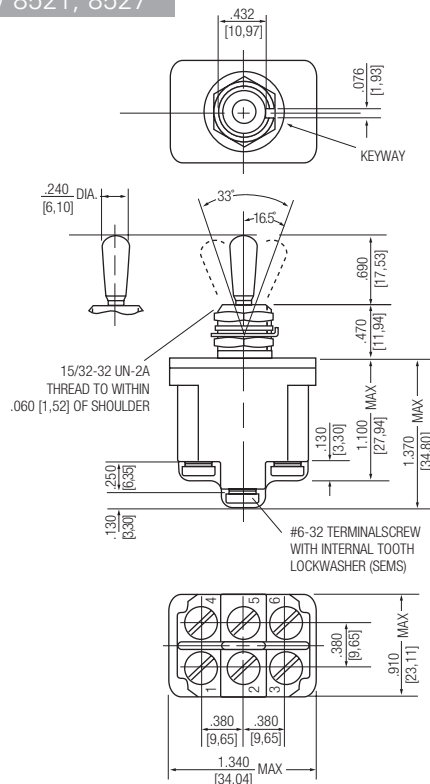
Environmentally Sealed Toggle Switches  
UL Recognized and CSA Certified

## MOUNTING DIMENSIONS - ONE POLE / 8520, 8526



Non-functional terminals not supplied.

## MOUNTING DIMENSIONS - TWO POLE / 8521, 8527



Non-functional terminals not supplied.

STANDARD  
0.00 = inches  
[0,0] = mm

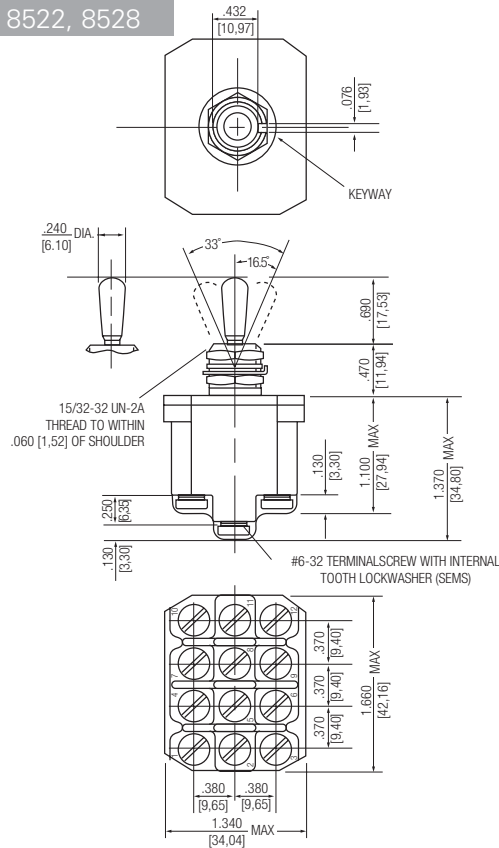
Mounting dimensions for reference only.

# INDUSTRIAL - ENVIRONMENTALLY SEALED SWITCHES

Series - 8520-8522, 8526-8528

Environmentally Sealed Toggle Switches  
UL Recognized and CSA Certified

## MOUNTING DIMENSIONS - FOUR POLE / 8522, 8528



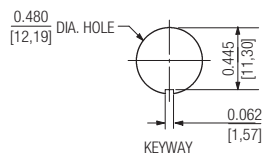
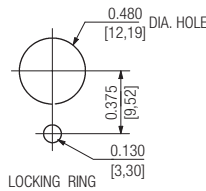
Non-functional terminals not supplied.

## OPTIONS/ACCESSORIES

- Special mounting hardware
- Mounting hardware furnished assembled
- Terminal screws furnished assembled
- Special circuits
- Panel seal, part number 32-341
- Spade terminal adapters available

## PANEL CUTOUT DIMENSIONS

15/32 DIA. BUSHING



STANDARD  
0.00 = inches  
[0,0] = mm

Mounting dimensions for reference only.

# NOMINAL RATINGS AND CIRCUIT DIAGRAMS

## UL AND CSA NOMINAL RATINGS

Catalog Number	Amperes		Maximum Horsepower		
			1 Phase		3 Phase
	125VAC	250VAC	125VAC	250VAC	125/250VAC
8520K1, K4, K9	18	9	1/4	1/2	—
8521K1, K4, K9	18	9	1/2	1	—
8522K1, K4, K9	18	9	1/2	1	1
8526K2, K3, K5	18	9	—	—	—
8527K2, K3, K5	18	9	—	—	—
8528K2, K3, K5	18	9	—	—	—
8530K1-13,K31-313,K91-913	18	9	1/4	1/2	—
8531K1-16,K31-316,K91-916	18	9	1/2	1	—
8532K1-17,K31-317,K91-917	18	9	1/2	1	1
8533K1-13,K31-313,K91-913	18	9	1/4	1/2	—
8534K1-13,K31-316,K91-916	18	9	1/2	1	—
8535K1-17,K31-317,K91-917	18	9	1/2	1	1
8536K1-13,K31-313,K91-913	18	9	1/4	1/2	—
8537K1-16,K31-316,K91-916	18	9	1/2	1	—
8538K1-17,K31-317,K91-917	18	9	1/2	1	1